



## DK-MH 30/T plus-EN54

- superb sound quality
- weather proof
- BS 5839



EN 54-24:2008  
Ref. Nr.: 003-13  
ID-Code: SAA-LS03  
1438/CPR/0242

ic audio GmbH, Boehringerstraße 14a,  
D-68307 Mannheim, Germany

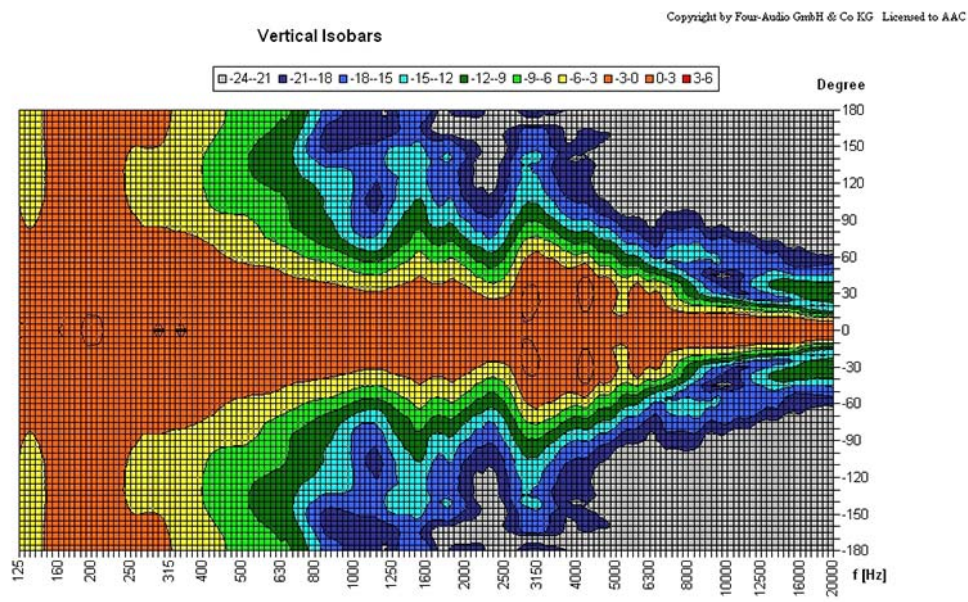
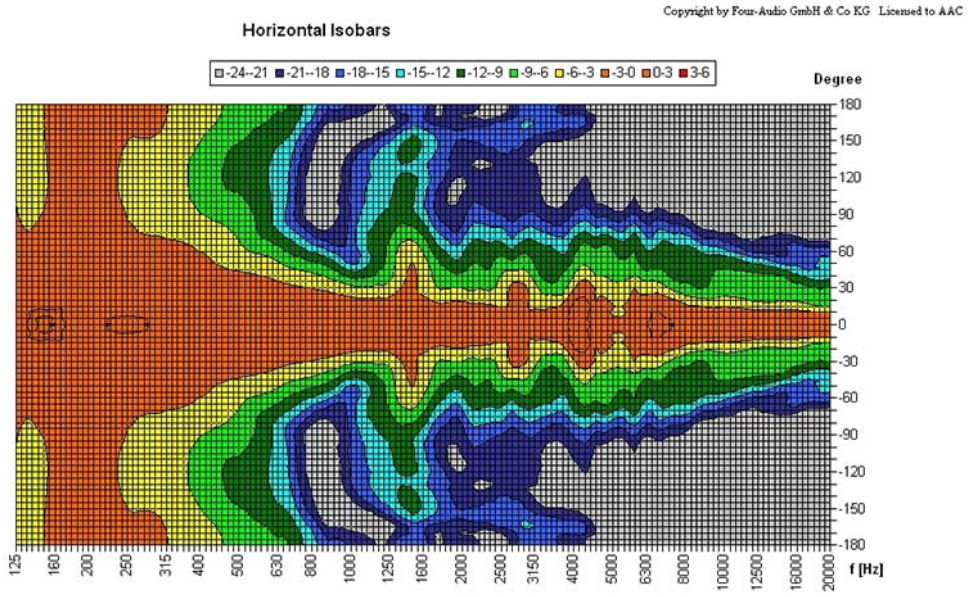
CE-Symbol gemäß Richtlinie 93/68EWG

The 30W powered 2-way speaker is equipped with a 100V line transformer with 4 power adjustments. The impact-resistant ABS housing in RAL 7035 guarantees long-term stability. For additional reliability, a ceramic block and a thermal fuse is provided.

The speaker is also secured with the high protection class IP 66 against the security risks of environmental influences. The speaker is compliant with the British Standard BS 5839, Part 8.

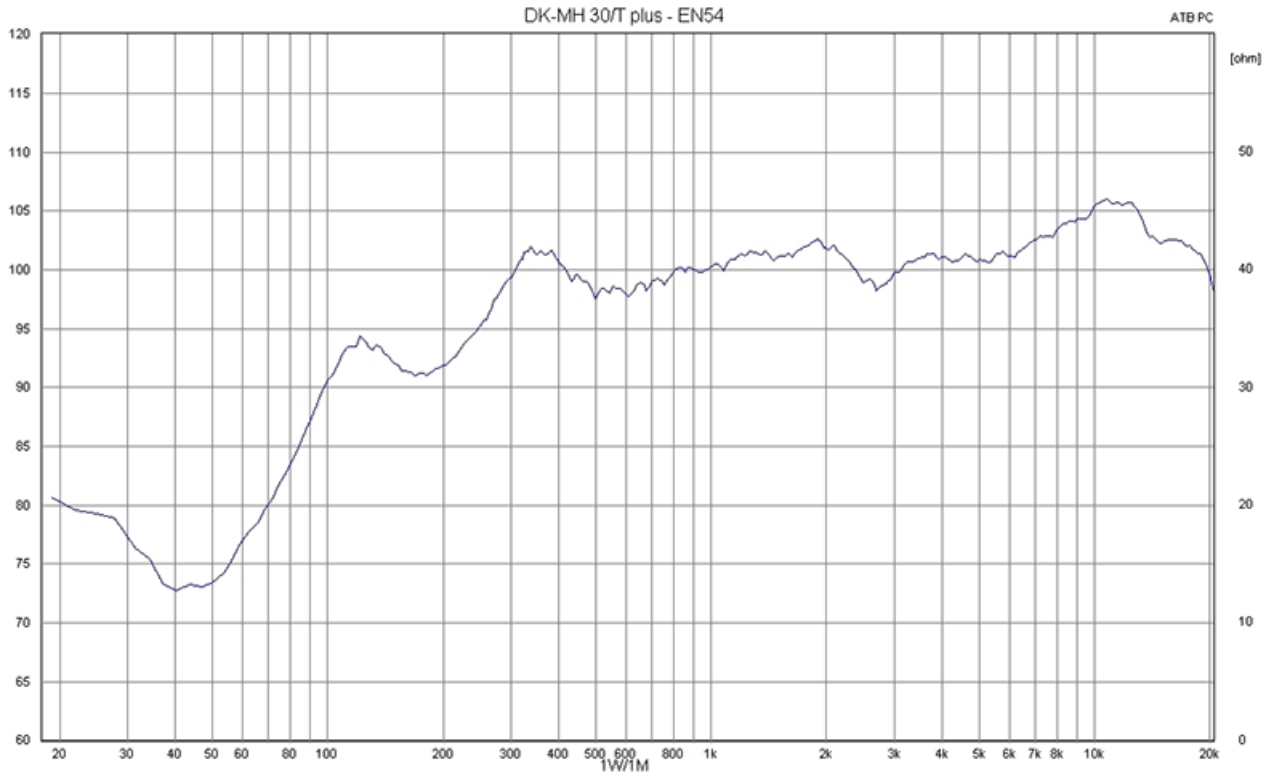
Mounting by stainless aluminum universal mount. Optionally available is a mast bracket (MB) for about 90 - 200mm mast diameter.

Polar Diagrams

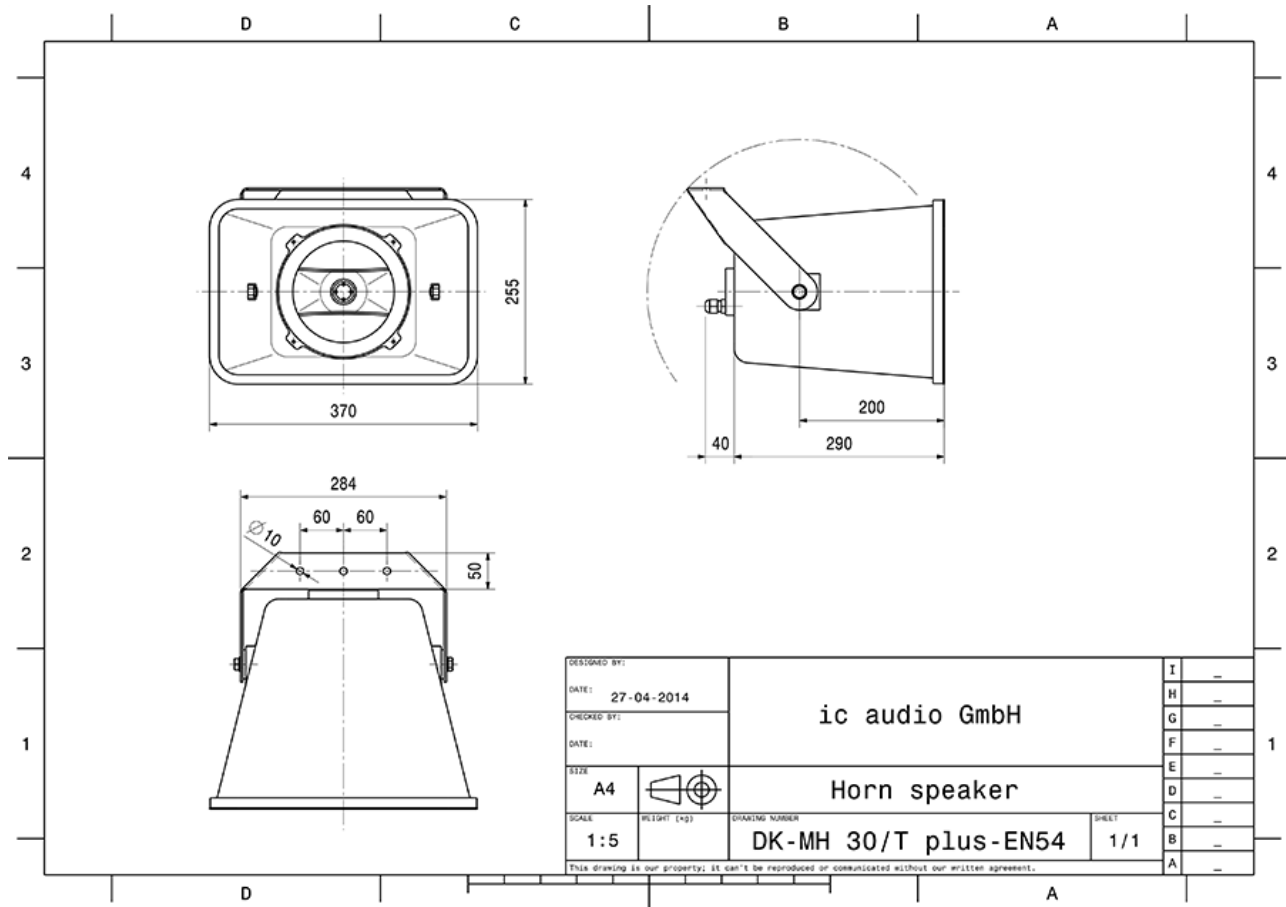


Parameters: Cyclic Move: 0° ; Symmetry: average sym ; Freq.Smooth: 1/3 Oct ; Ang.Resol.: 5° ; Rel. to: 0° Axis 0°

### Frequency Response Diagrams



## Technical Diagrams



## Technical Data (Electrical)

Description	DK-MH 30/T plus-EN54
Power	30/15/7,5/3,75 W
Frequency Range	237 - 21.100 Hz
Frequency Response	65 - 24.000 Hz
SPL 1W/1m, peak	101,8 dB
SPL , 1W/4m, peak	89,8 dB
SPL Pmax/4m, peak	104,5 dB
Sensitivity EN54-24, 1W/4m	78,4 dB
Dispersion -6dB, 500Hz	145° (h) 193° (v)
Dispersion -6dB, 1KHz	60° (h) 99° (v)
Dispersion -6dB, 2KHz	57° (h) 103° (v)
Dispersion -6dB, 4KHz	80° (h) 123° (v)

## Technical Data (Mechanical)

Dimensions	370x255x330 mm
IP Rating	IP66
Weight (net)	4,57 kg
Temperature range	-20 / +90 °C
Mounting	Mounting bracket
Connector	ceramic block
Maximum cable cross section	8mm <sup>2</sup>

Max. cable cross section loop	2x2mm <sup>2</sup>
-------------------------------	--------------------

Colour	RAL 7035
--------	----------

Product Attributes



Measurements according to DIN IEC 268-5 | RoHS compliant (2011/65/EU)



**Article Nr.:** 20102232

**Packing Unit:** 4

