



DK 30/T-EN54

- high sound pressure level
- weather proof
- BS 5839



EN 54-24:2008
Ref. Nr.: 003-13
ID-Code: SAA-LS03
1438/CPR/0242

ic audio GmbH, Boehringerstraße 14a,
D-68307 Mannheim, Germany

CE-Symbol gemäß Richtlinie 93/68EWG

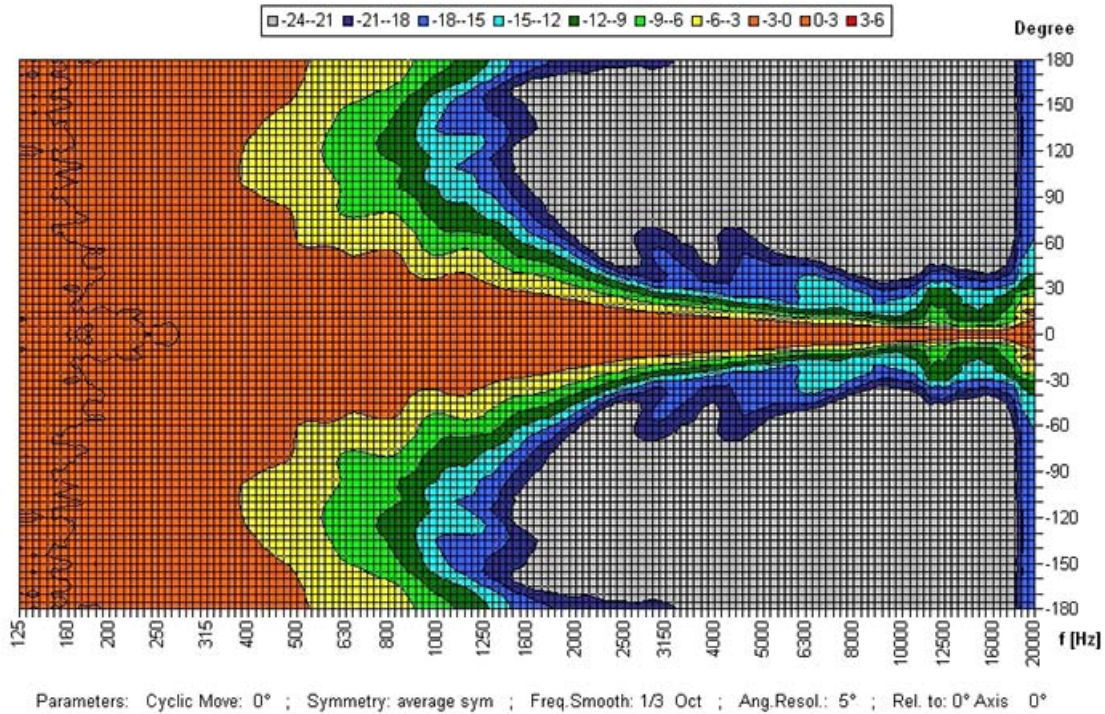
The 30W powered speaker is equipped with a 100V line transformer with 4 power adjustments, also low-impedance operation (20ohm) is possible. The impact-resistant ABS housing UL94V0 in RAL 7035 guarantees long-term stability. For additional reliability, a ceramic block and a thermal fuse is provided in a junction box.

The speaker is also secured with the high protection class IP 66 against the security risks of environmental influences. The speaker is compliant with the British Standard BS 5839, Part 8.

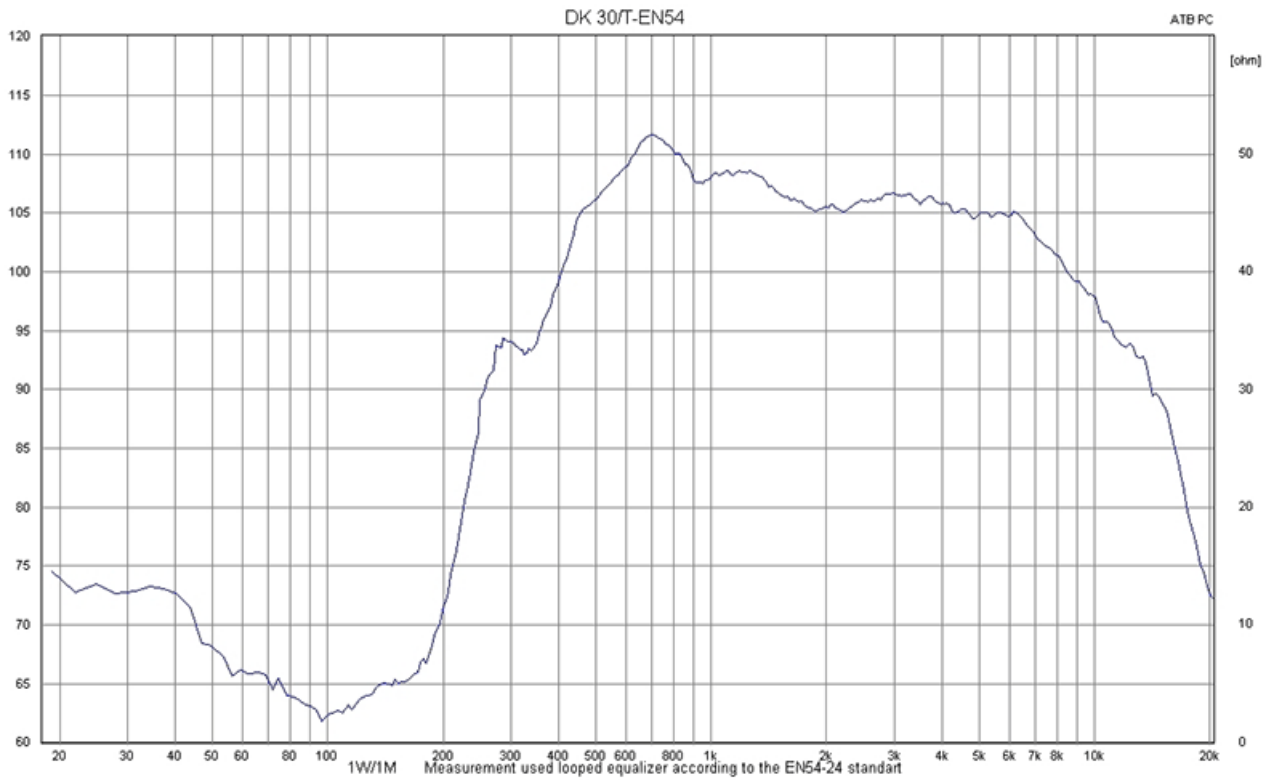
Included is a U-shaped, stainless steel universal mount for flexible installation. Optionally available is a mast bracket (MB) for about 90 - 200mm mast diameter.

Polar Diagrams

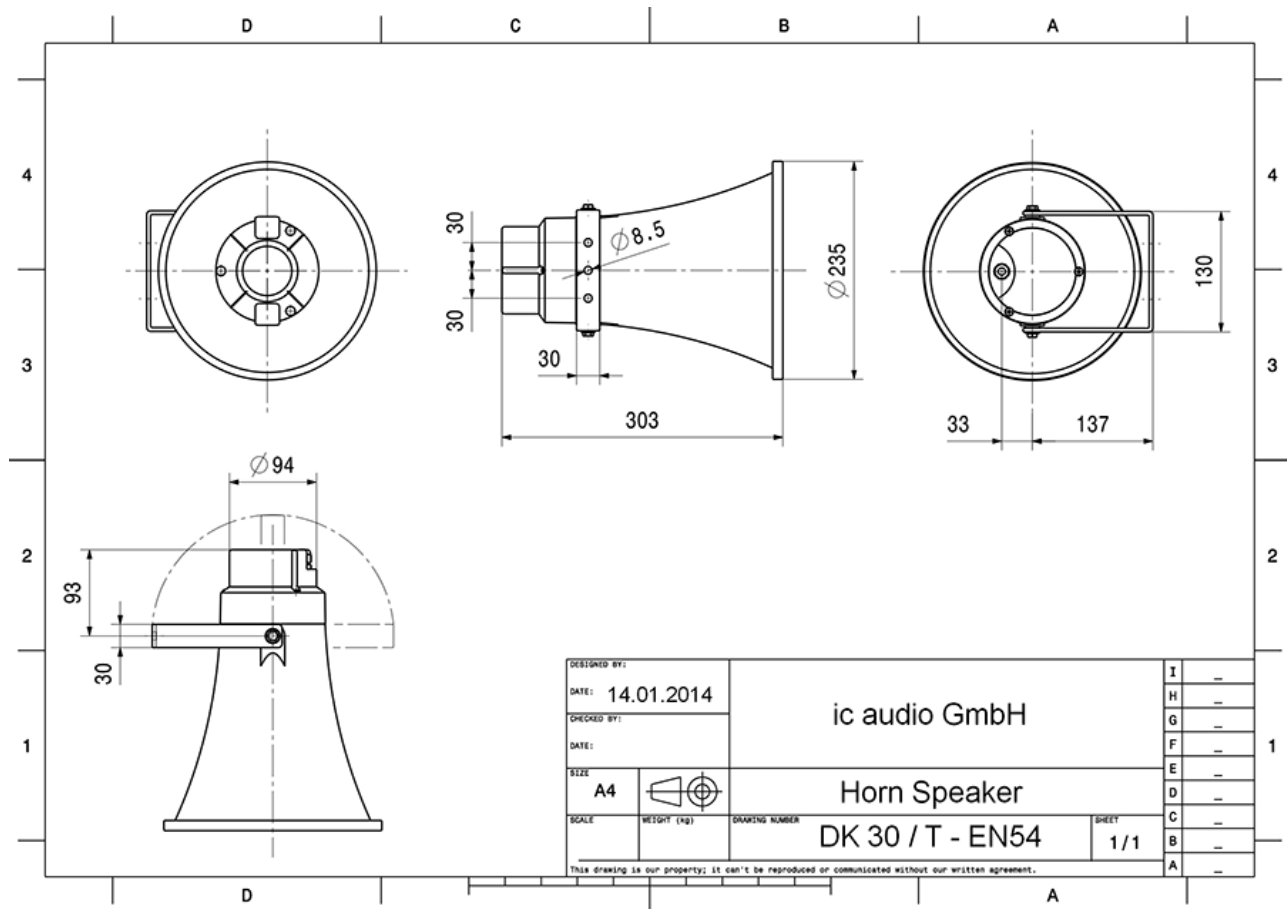
Copyright by Four-Audio GmbH & Co KG Licensed to AAC



Frequency Response Diagrams



Technical Diagrams



Technical Data (Electrical)

Description	DK 30/T-EN54
Power	30/20/10/5 (20) W
Frequency Range	592 - 6.900 Hz
Frequency Response	250 - 15.000 Hz
SPL 1W/1m, peak	110,1 dB
SPL , 1W/4m, peak	98,1 dB
SPL Pmax/4m, peak	112,8 dB
Sensitivity EN54-24, 1W/4m	79,9 dB
Dispersion -6dB, 500Hz	360°
Dispersion -6dB, 1KHz	103°
Dispersion -6dB, 2KHz	62°
Dispersion -6dB, 4KHz	32°

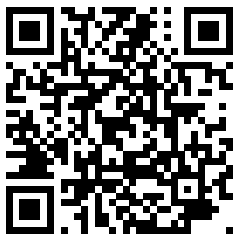
Technical Data (Mechanical)

Dimensions	235x303 mm
IP Rating	IP66
Weight (net)	2,17 kg
Temperature range	-20 / +90 °C
Mounting	Mounting bracket
Connector	ceramic block
Maximum cable cross section	8mm ²
Max. cable cross section loop	2x2mm ²
Colour	RAL 7035

Product Attributes



Measurements according to DIN IEC 268-5 | RoHS compliant (2011/65/EU)



Article Nr.: 20102188

Packing Unit: 6

